



SafePath™ DH98i Industrial Door Motion & Presence Sensor



Product Name SafePath™ DH98i

featuring FRM-AI technology with
Maximum Pattern Infrared™ (MPI™)

Manufacturer

MS SEDCO
8701 Castle Park Drive
Indianapolis, IN 46256
Phone: (800) 842-2545
(317) 842-2545
Fax: (800) 849-3387
(317) 849-3387
Email: custsvc@mssedco.com
www.mssedco.com

Product Description

BASIC USE

The SafePath™ DH98i is a combination 2-row motion, 2-row presence sensor designed to provide both activation and safety protection for automatic industrial doors in a single device that can be mounted up to 13 feet (4m) high.

Floor Reflection Method™ (FRM™) sensors with Maximum Pattern Infrared™ (MPI™) provide better safety than other infrared sensors.

The DH98i is based on the most reliable active infrared (AI) technology available — Floor Reflection Method (FRM). With FRM-AI up to 48 individual detection zones are precisely reflected off of the floor in a

rectangular pattern for unparalleled performance.

SafePath Maximum Pattern Infrared (MPI™) sensors use more beams than other manufacturers—and provide a level of safety not found in other stand-alone infrared sensors.

The DH98i provides motion detection as far as 10 feet (3m) from the door while providing a dense zone of presence detection in close to the door. With a sensing area made up of 48 detection zones, the DH98i provides the highest density of any of our infrared detectors for industrial applications.

Width and depth are both mechanically adjustable. In addition, depth can be altered electronically. All adjustments are available without the use of proprietary set-up devices.

Technical Data

- Floor Reflection Method Active Infrared (FRM-AI) Technology
- One Sensor Provides Both Motion And Presence Detection
- Up To 48 Detection Zones
- Mount Up To 13' (4m) High
- 10 Mechanical Width Settings From 36" To 20'
- Electronic Depth Adjustment From 1 to 4 Rows (Also 5 Tilt Settings)
- Quick-Connect Wiring (Harness Included)
- Four Presence Timer Settings Up To Infinity And Four Frequency Settings
- 12V to 24V AC or DC Operation
- Form C Dry Relay Contact (N.O., COM, N.C.)
- Rain Cover Available (DHRC)

SPECIFICATIONS

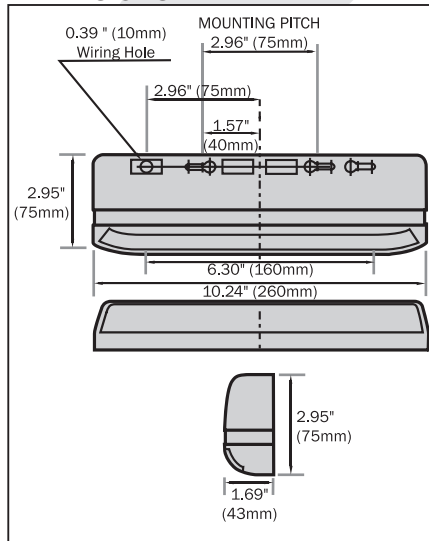
Model	DH98i
Detection Method	Floor Reflection Method Active Infrared (FRM-AI)
Max. Installation Height	13.2 Feet (4m)
Sensitivity Adjustment	Variable (via potentiometer)
Detection Area Adjustment	Pattern Width (36" to 20") Pattern Depth (1 to 4 Rows + tilt settings of 0° to 10° in 5 steps)
Detection Beams	12 Beams x 4 Rows = 48 Beams
Presence Detection	1 & 2 Rows (Door Side) Utilizing Presence Timer
Motion Detection	3 & 4 Rows (Approach Side)
Power Requirements	12V to 24V AC or DC ± 10%
Power Consumption	AC24V-3VA, AC12V-3VA DC24V-75mA, DC12V-120mA
Output Contact	Form C Relay: DC50V 0.1A Resistor Load
Output Holding Time	Approx. 0.5 Seconds
Presence Timer (Rows 1 & 2 Only)	2 Seconds, 60 Seconds, 10 Minutes and Infinite
Operation Indication	Red LED = Detection Green LED = Monitoring Area Orange LED = Abnormal Oscillating between Red/Green=Fault
Enclosure Rating	IP54 (IEC60529)
Temperature Range	-4° F to 140° F (-20° C to 60° C)
Weight	Approx. 0.8 lbs. (0.35 kg)
Cover Color	Black
Accessories	Cable: 5 ft. (1.5m)

SafePath™ DH98i Industrial Door Motion & Presence Sensor



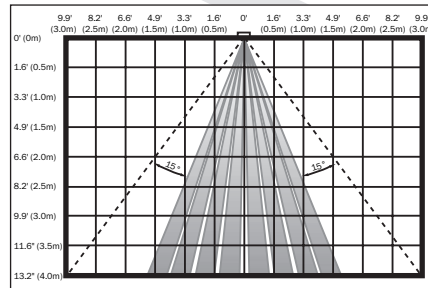
SENSORS & SWITCHES

DIMENSIONS



The DH97-MP is an optional mounting plate that will adapt the DH97 for mounting to a 1 3/4" door header.

COVERAGE PATTERN



Wide Pattern @ Maximum
20' (6m) Wide

Narrow Pattern @ Maximum
10' (3m) Wide

distributors; contact MS SEDCO for the location of nearest distributor.

COST

Cost information on MS SEDCO products is available from the manufacturer's authorized distributors.

Warranty

A one year warranty is available from the manufacturer covering defects in materials and workmanship. Contact MS SEDCO for details.

APPLICABLE STANDARDS

Enclosure Rating IP54 (IEC60529)

APPROVALS

CE

Installation

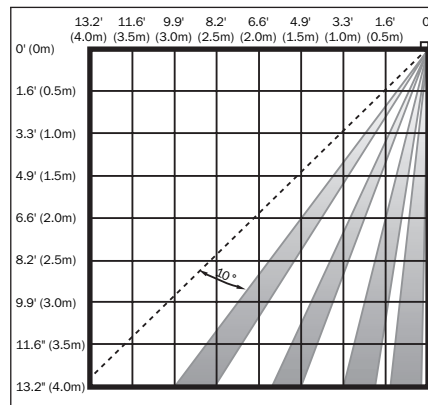
SETUP AND ADJUSTMENT

The DH98i installs easily. Simple Amp connectors make wiring fast. Twin revolving lens units allow pattern width to be adjusted from wide to narrow and the body of the sensor can be tilted to adjust pattern depth. The indicator LED is clearly visible with the cover on. An 8 position dip switch allows the installer to adjust the presence timer, pattern depth, frequency, monitoring modes.

The DH97-BDB is an optional bracket used to swivel mount the DH97 sensor for unique applications.



DH97-BDB



Wide Pattern @ Maximum
13' (4m) Deep

Narrow Pattern @ Maximum
13' (4m) Deep

(These detection patterns are approximate and will vary slightly. Walk-test the unit to assure the pattern desired.)

Maintenance

MS SEDCO recommends that all maintenance and adjustments be performed by a qualified technician.

Technical Services

MS SEDCO's staff of factory trained sales and service personnel offer design assistance and technical support. Local distributors are also available to assist in selecting appropriate devices for specific uses and to provide onsite installation.

Availability & Cost

AVAILABILITY

Available internationally from manufacturer's authorized